

Choice Case Study

Campus-wide Network Solutions for Maulana Azad National Urdu University

Inside This Case Study

Project Background	1
Choice Role and Solution	1
About Choice Solutions	3

Project Background

Choice Solutions Limited was approached by the Maulana Azad National Urdu University at Hyderabad to establish Network connectivity for their new building at the university campus.

MANUU was established in the year 1998. It is affiliated to Central University and was established by Parliament's Act. It is associated to 'The Association of Indian Universities' (AIU) and is recognized and funded by UCG.

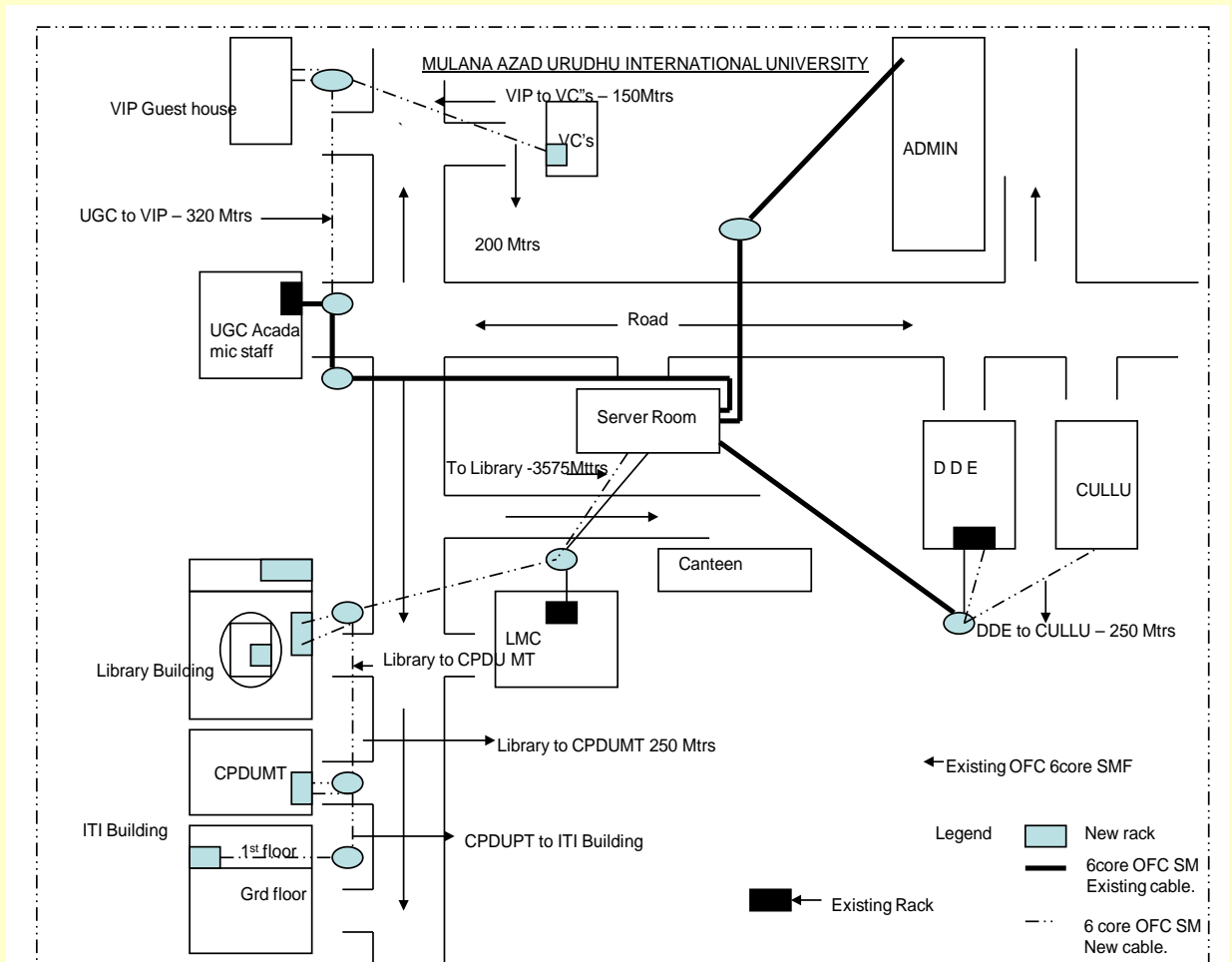
The university authority wanted complete new fiber connectivity between the eight buildings within the campus and an UTP structure cabling within the buildings.

Choice Role and Solution

Choice Solutions team working for this project provided the complete design, product specifications and bill of material for the university's networking requirement. Keeping the future scalability in mind for bandwidth hungry applications and education software the team also proposed single mode fiber for connectivity between the campus buildings.

All Switches installed managed 10/100 ports with Giga dual interface uplinks. The campus buildings were interconnected on single mode fiber with Giga speed and were integrated with existing core switch at the datacenter.

All Switches installed managed 10/100 ports with Giga dual interface uplinks.



About Choice Solutions

Established in 1991 Choice Solutions Ltd. is a leading IT and Facilities solutions provider. Choice Solutions Ltd. business comprises of Six different practices, namely

IMS

- Desktop, Server, Network, Storage, Support, OS, Assets, Apps, Non IT
- Hardware - A-Add, M-Modify, I-Install, C-Change, R-Repair
- Assets, Security, Software Distribution, Upgrades

Networking

- Packaged Services Monitoring & Management
- Products, Security, Design, Deploy, Maintain
- Auditing & Compliance, SOC

Datacenter

- DC Audit, Monitor & Manage, Training
- Assess, Design, Built, Deploy, Disaster Recovery

Consulting

- Business Consulting, CIO & Technology Services, Physical Security, Power Devices, IT Consulting
- DC Consulting, ERP, CRM & Custom Apps

Cloud Computing

- Cold Site – Backup, Disaster Recovery
- Hot Site – HaaS, Software, Manage
- Public Cloud, Private Cloud, Hybrid Cloud
- CaaS, License Software, IaaS
- Disaster Recovery

Power

- Power Audit, Equipment Management
- Physical Security, Power Devices
- Power Saving Devices
- Design & Audit
- Renewable Energy Products